

H. WARRANTY TERMS FOR ECOSINK FOOD WASTE DISPOSER

Warranty Period:

FWD-030S:	3 Years	FWD-030G:	2 Years
FWD-050S:	4 Years	FWD-050G:	3 Years
FWD-050SS:	4 Years	FWD-050SS-1:	4 Years
FWD-075SS:	4 Years	FWD-075SS-1:	4 Years
FWD-100SS:	7 Years	FWD-100SS-1:	7 Years

Homelektro Ltd. warrants that, with appropriate installation and use, the EcoSink food waste disposer shall be free from defects for the period specified in the box above as appropriate for that model of food waste disposer. However, should a defect in this product become apparent within the specified period, as commenced at the date of original purchase, then Homelektro Ltd. will replace the product in your home without charge subject to the following conditions.

1 All defects resulting from installation, use or repair other than in accordance with the instructions are excluded from the coverage of this Warranty

2 This Warranty does not apply except to servicing within the country of originally purchased.

3 Proof of purchase is supplied.

This Warranty is in addition to any statutory warranties or rights that you may have. Liability under this Warranty and, to the maximum extent permitted at law, under any statutory warranties or rights is limited to replacement or repair of the product.

For Service Call:



Food Waste Disposer Owner's Manual



Model:

FWD-030G

FWD-030S

FWD-050G

FWD-050S

FWD-050SS

FWD-075SS

FWD-100SS

FWD-050SS-1

FWD-075SS-1

FWD-100SS-1

IMPORTANT: 

READ ALL INSTRUCTIONS BEFORE USING.

CAUTION: 

BE SURE TO REVIEW SAFETY INSTRUCTIONS PERTAINING TO A RISK OF FIRE, ELECTRICAL SHOCK OR INJURY TO PERSONS BEFORE USING DISPOSER.


A. BEFORE YOU BEGIN

Read these instructions completely and carefully.

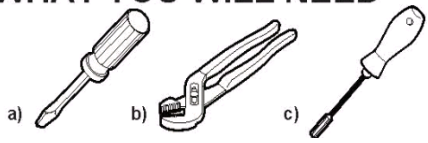
- **IMPORTANT** -Save these instructions for local inspector's use.
- **Note to Installer** -Be sure install the disposer in according with the relevant local Standard and installation is allowed by the authorities,lease these instructions with consumer. The disposer may require approval for the relevant regular and /or the seweragesystem operator.
- **Note to Consumer** -keep these instruction for future reference.
- **Skill level** -we recommend installation by a qualified plumber and the following instructions are for the use of such a professional.
 - Proper installation is the responsibility of the installer.
 - Product failure dur to improper installation is not covered under the warranty

PREPARATION

1. Disconnect electrical power supply to disposer
2. Remove old disposer or sink flange assembly.
3. Inspect drain line.If it is heavily coated with hardened grease and accumulations,rout out with a plumber's snake
4. Remove old sealing material and gaskets from sink opening, both top and bottom

NOTE: 
Top and bottom of sink surfaces must be free of any materials to prevent leaks.

WHAT YOU WILL NEED



- a)Phillips and flat balde screwdrivers
- b)Channel lock pliers,slip joint
- c)Nut driver

ADDITIONAL MATERIALS YOU MAY NEED

- Steel Punch or wooden dowel
- Plumcer's putty
- Petroleum jelly or liquid soap
- Stepped rubber drain adapter
- Dishwasher drain connector

B. IMPORTANT NOTES & SAFETY INSTRUCTIONS

INSTRUCTIONS PERTAINING TO A RISK OF FIRE, ELECTRIC SHOCK OR INJURY TO PERSONS. The safety precautions apply to any user or installer of the product.

This appliance is not intended for use by persons(includeing childern) with reduced physical, sensory or mental capabilities, or lack of experience and knowledge,unless they have been given supervision or instructions concerning use of the appliance by a person responsible for their safety.children shall not play with the appliance. Cleaning and maintenance shall not be made by children without supervision. Reset button and air switch is readily accessible

THIS APPLIANCE MUST BE EARTHED



WARNING!

When using electrical appliance,basic safety procautions should be followed,including the following:

SAFETY PRECAUTIONS

- Use this appliance only for its intended purpose as described in this Owner's Manual.
- Read all the instructions before using the appliance.
- To reduce the risk of injury, close supervision is required when a waste disposer is used near children
- Do not put fingers or hands into a waste disposer .
- Unplug the unit before attempting to clear a jam ot remove an object from the disposer
- **As the food waste disposer is magnetic, please use non-magnetic tools such as a wooden spoon or long handled plastic tongs when attempting to loosen a jam or remove objects from the waste disposer**
- To reduce the risk of injury by materials that may be expelled by a waste disposer, do not put non-food items & the following into the food waste disposer:
 - a) Clam or osyter shells.
 - b) Caustic drain cleaners or similar product.
 - c) Glass, china or plastic.
 - d) Large whole bones.
 - e) Metal, such as bottle caps,tir cans utensils or auluminum foil.
 - f) Hot grease or other hot liquids.
 - g) Whole com husks.
- When not operating a waste disposer, leave the drain stopper in place to reduce the risk of object falling into the disposer.

C. COMPONENTS

Components

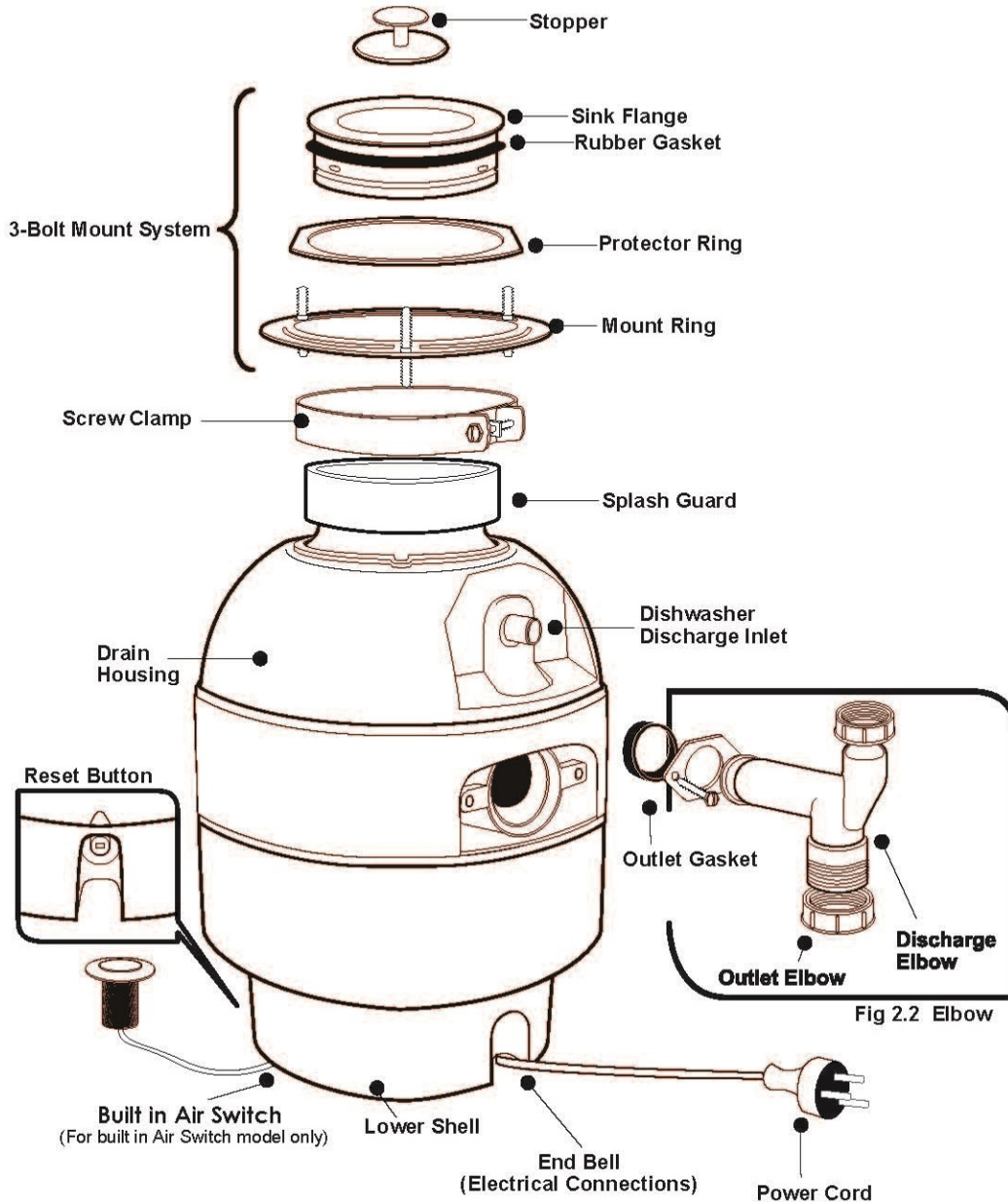


Fig 2.1 3-Bolt Mount System

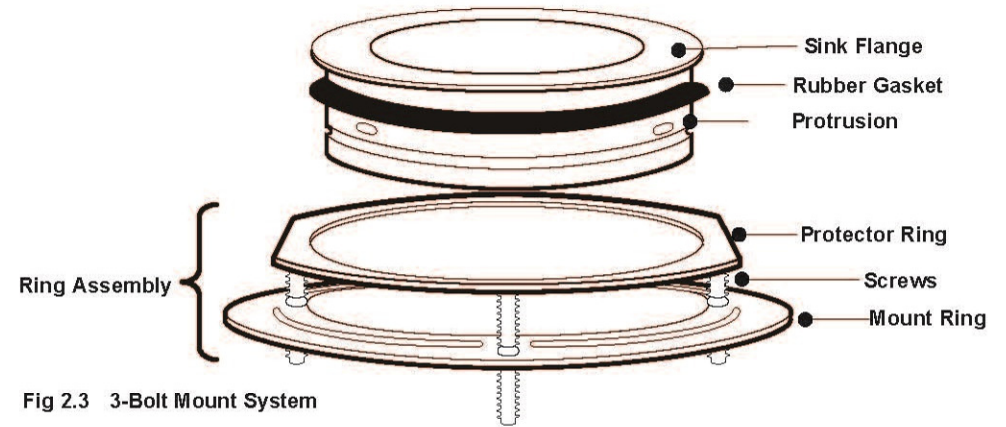


Fig 2.3 3-Bolt Mount System

D. INSTALLATION

INSTALLATION OF MOUNT SYSTEM

NOTE:

Pay close attention to the order of mount assembly parts, as they have been correctly assembled by the factory. (See Fig 2.1, Fig 2.2 and Fig 2.3)

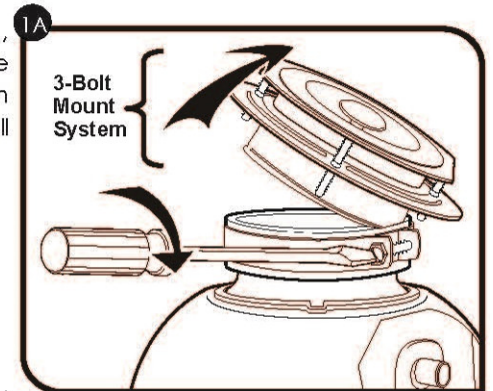
3-Bolt Mount System Read completely before starting

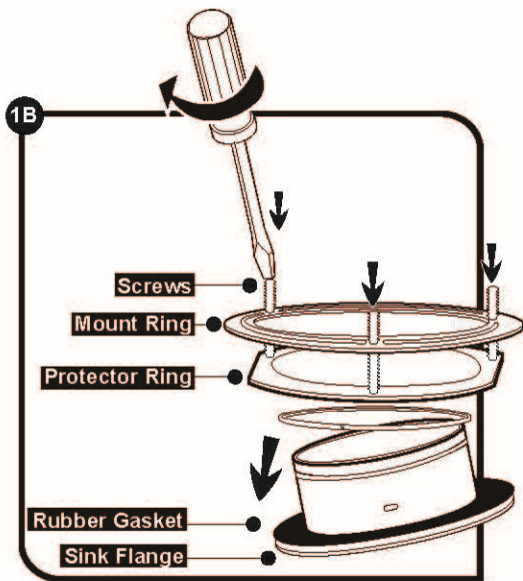
- Disassemble the 3-bolt mount system, by turning the sink flange until the protrusions align with the notches in the mount ring and allow you to pull the sink flange up and out. (See 1A)

NOTE:

The sequence of these parts as they are stacked and refer to 1A to identify each part.

- Unpack the 3 mount screws and screw them half way through the mount ring. (See 1B)

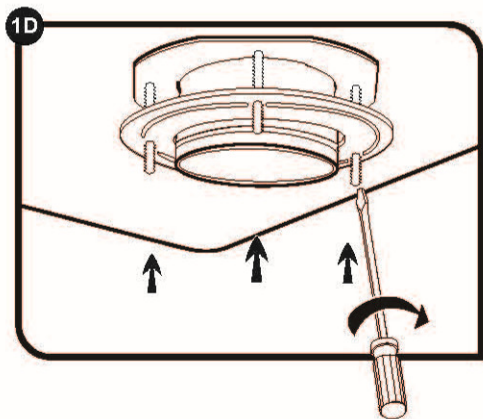
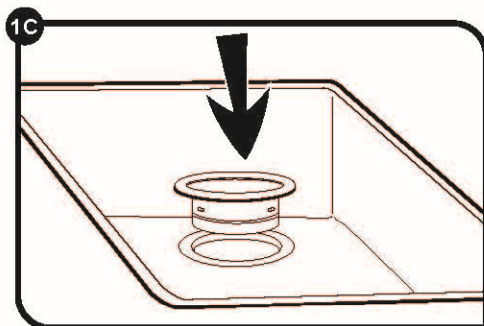




c. Next, separate the sink flange with the rubber gasket from the rings assembly (See 1B).

Keep these assembled parts together and set aside. Before you connect the disposer to the 3-bolt mount system under the sink, you may want to practice engaging the ridge on of the splash guard to the groove on the bottom of the sink flange (see 1B).

d. Be sure your sink is clean. Pack the underside rim of the sink flange with plumber's putty. Position the sink flange so it is centered and readable as you look into your sink. Push the sink flange firmly into the sink opening to make a good seal. DO NOT move to rotate the sink flange once seated or the seat may be broken.



e. Make sure that the rubber gasket seats below the sink flange properly. From under the sink, while holding the sink flange firmly with one hand, line up the notches in the mount ring with the protrusions on the sink flange.

Slide the ring assembly up onto the sink flange, 'past the protrusions and give the mount assembly a 1/4 turn so that it will hang by itself.

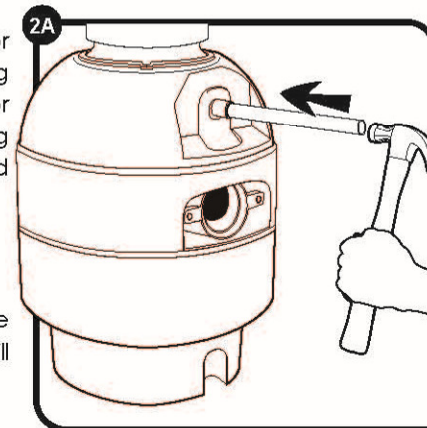
Tighten the 3 mounting screws evenly with a screwdriver (see 1D). Do not over tight the screws! Trim off excess putty.

2 DISHWASHER CONNECTION (IF NECESSARY) * Not Applicable to Australia Market

If you are connecting to a dishwasher, complete the following step. If a dishwasher is not to be connected, go on to section 3.

a. KNOCK OUT PLUG

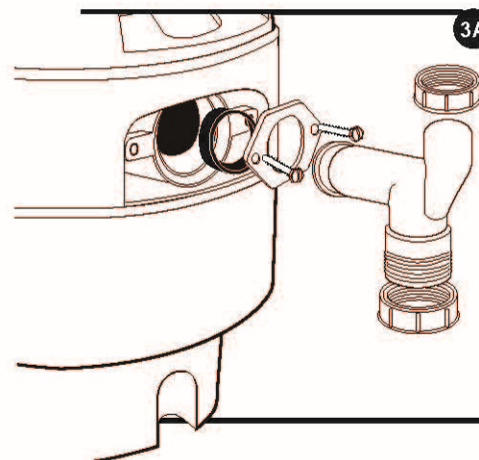
Using a blunt instrument (steel punch or wooden dowel), knock out entire plug (see 2A). Do not use a screwdriver or sharp instrument. When knockout plug falls into disposer, you may remove it and put it in rubbish bin.



b. CONNECT HOSE

Connect the dishwasher hose using a hose clamp. If the hose size is different, you will need a stepped rubber adapter.

3 ATTACHING THE DISCHARGE ELBOW



CONNECT DISCHARGE ELBOW

a. Connect the discharge elbow to the disposer (See 3A), proceed to step 4 and then connect bottom of the elbow by tightening the slip nut.

b. If you are connecting to a dishwasher, return to section 2A. If not, make sure all plumbing connections are tight and in accordance with all plumbing codes and ordinances. Run water and check for leaks.

4 | INSTALL DISPOSER TO SINK FLANGE

WARNING:

The disposer will be turned on once it connected. During installation, please be sure that the disposer is disconnected. (See Fig 4.1)

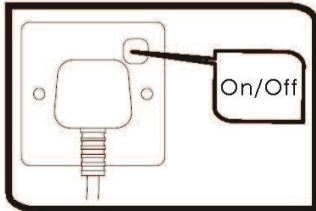
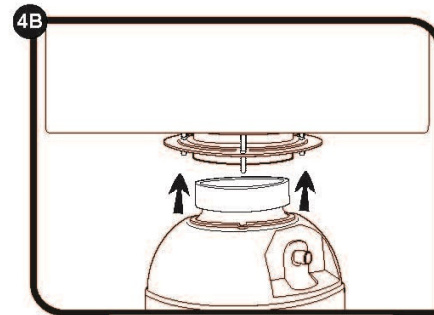
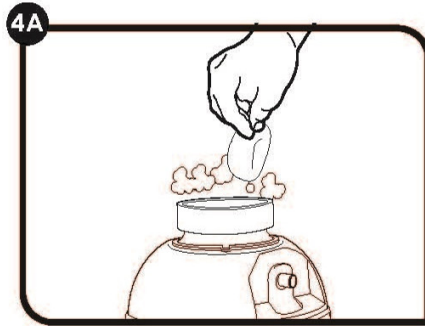


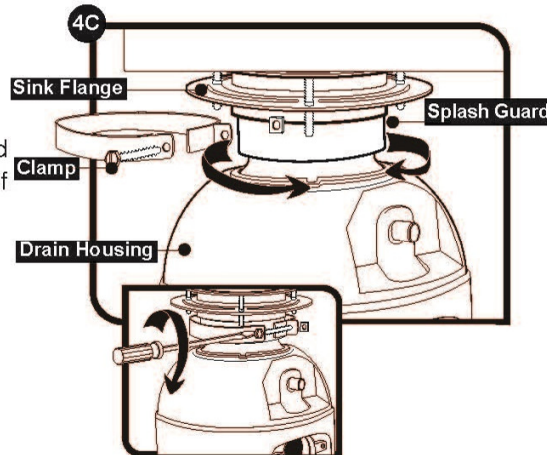
Fig 4.1

IMPORTANT - please do not remove clamp and splash guard from hopper. Both parts are factory installed and installation ready.

a. Lubricate the inside surface of the rubber splash guard with liquid soap to engaging disposer to sink flange. (See 4A)



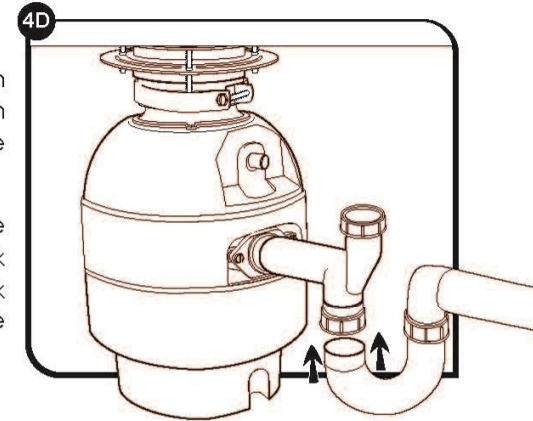
b. Press firmly around the splash guard to ensure it is engaged with neck of the disposer.



c. Fit splash guard lip into sink flange groove using a slight rocking motion.

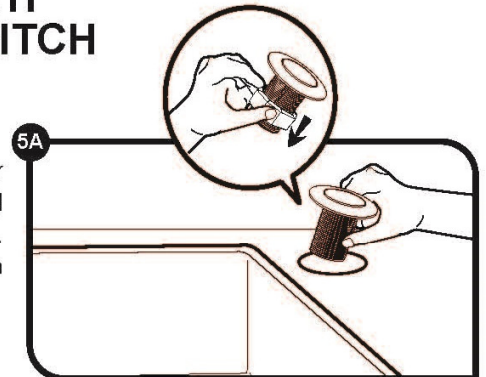
d. Line up discharge elbow of disposer with trap under mounting assembly. Tighten the clamp around the splash guard. The disposer will now hang by itself.

e. If you need to turn the disposer make sure the sink flange does not turn. It will break the seal created when installed. Go back to steps 3A and 3B. Use only P or S type Traps.

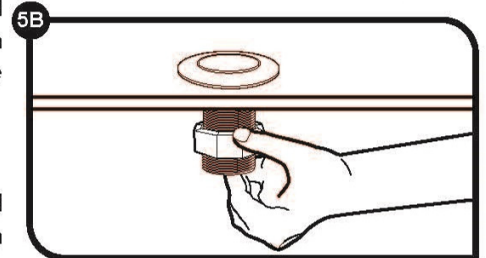


5 | USER GUIDE WITH BUILT IN AIR-SWITCH

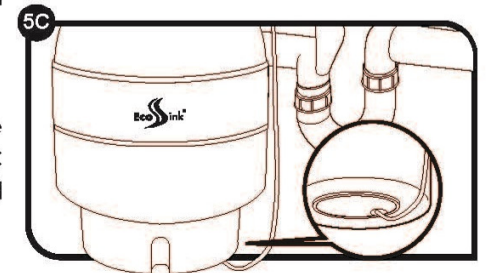
a. Select a location on the bench top for the air switch to be positioned (recommended position is near the sink). Mark and cut a hole, 33mm or 1-5/16 inch in diameter, in the bench top.



b. Remove the nut on the push button and place the push button on desired position near the sink or the disposer on the kitchen bench. (See 5A)



c. Place the push button on the desired position and tighten the nut underneath with hand (Do not use wrench tightening the nut). (See 5B)



d. Finally to connect the tube to the disposer. Push the other end of the PVC tube to the air switch outlet. To ended underneath the disposer. (See 5C)

E. OPERATING INSTRUCTION

For Continuous Feed Model

An EcoSink is an appliance that can be installed in a kitchen sink drain to grind & dispose the food materials.

- Remove the sink stopper and turn on a medium flow of cold water.
- Turn the switch to ON.
- Food items should be fed into the EcoSink gradually. Stuffing lots of food scrap into the disposer unit all at once is likely to make it jam & shutdown.
- Before turning the disposer off, let the water and the disposer run for approximately 25 seconds after shredding stops. This assures that all waste is thoroughly flushed through the trap and drain.
- EcoSink should only be run with cold water. Do not use hot water to run the disposer.

Helpful Hints

Be sure the disposer is empty before using the dishwasher so it can drain properly.

You may want to leave the stopper in the drain when not in use to prevent utensils and foreign objects from falling into the disposer.

The disposer is ruggedly built to give you years and years of trouble-free service. It will handle all normal food wastes—BUT it will not grind and dispose items such as tin cans, bottles and bottle caps, glass, china, leather, cloth, crockery, rubber, string, feathers, large bones, clam or oyster shells. These are waste materials and belong in the trashcan or trash compactor.

TO SPEED UP FOOD WASTE DISPOSER... Item such as bones, fibrous husks and corn husks, which require considerable grinding time. For this reason, we recommend you to cut or break up bones, melon rinds, grapefruit skins and corn cobs or place them in the trash can or trash compactor.

F. CARE AND MAINTENANCE

THE MOTOR IS PERMANENTLY LUBRICATED FOR LIFE. DO NOT ATTEMPT TO LUBRICATE YOUR DISPOSER.


The disposer is self-cleaning and scours itself with each use.

- NEVER put corrosive substances or chemical into the disposer, do not pour bleach or drain cleaners, run water before & after you use the disposer.

Any enquiries please contact: enquiry@homelektro.com
visit the website: www.homelektro.com

- Under normal usage, our disposer won't require any special care. If an odor released, run orange or lemon rinds through the disposer. Appropriate amount of ice cubes sprinkled with a little household scouring powder will also work. For more details, please refer to the owner's manual.

G. TROUBLESHOOTING TIPS

SAFETY NOTE: 

- Before investigating and or Resetting, you **MUST** disconnect the power supply
- The overload control prevents the motor from operating should overloading occur.
- When overloaded, the motor will stop automatically.

Why EcoSink food waste disposer not starting?

Make sure the unit is plugged into a live outlet. Check that the outlet is working properly by testing it with other electric appliance. If the problem persists, unplug power cord or turn the power switch to "OFF" position. Check to see if turntable will rotate freely by using plastic, wooden or non-magnetic implements. If turntable rotates freely, check re-set button to see it has been tripped (Re-set button is red and located opposite to discharge elbow, near the bottom). Push button in until it clicks and remains depressed. If the re-set button has not been tripped, check for short or broken wire and electrical power switch connecting to the disposer. If electrical components are intact, the unit may have internal problems that require service or replacement.

Why there is abnormal sound when operating EcoSink food waste disposer?

This is usually caused by accidental entry of a spoon, bottle cap or other foreign object. Turn both disposer and water tap off. After the disposer stopped, remove objects with plastic, wooden or non-magnetic implements. If electrical components are intact, the unit may have internal problems that require service or replacement.

How to fix a jam in EcoSink food waste disposer?

Unplug power cord or turn the power switch to "OFF" position, then check for any foreign object lodged between the turntable and grind ring. Dislodge the object by rotating turntable with plastic, wooden or non-magnetic implements. If no foreign object is present, there may be internal problems that require service or replacement.

Why leaking occurs?

If the unit leaks at the top, it may be due to:

- Improper seating of sink flange (gasket centering, putty or tightening).
- Support ring not tightened properly.
- Defective or improperly installed cushion mount.

If unit leaks at the discharge elbow, it may be due to improper tightening of outlet elbow.

If EcoSink food waste disposer breaks down, can I still use my sink?

Breakdowns are rare but if our disposer did fail to work, you could still use your sink normally. Water will easily flow through the holes in the shredder plate and down the drain, even if the disposer has been deactivated.

What if I can't solve my own problem?

Call EcoSink service agencies, and we are ready at anytime to help you to repair or replace your food waste disposer.